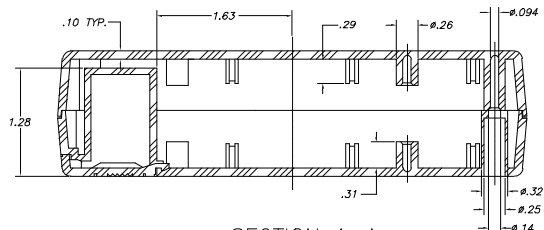
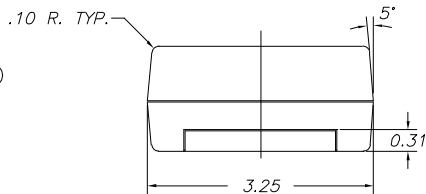
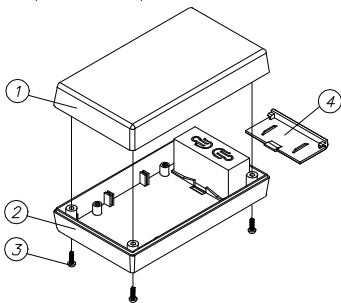
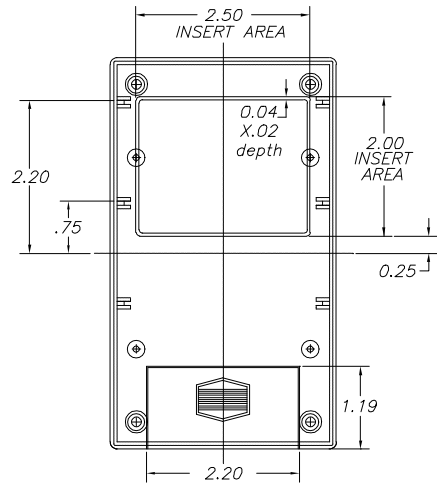
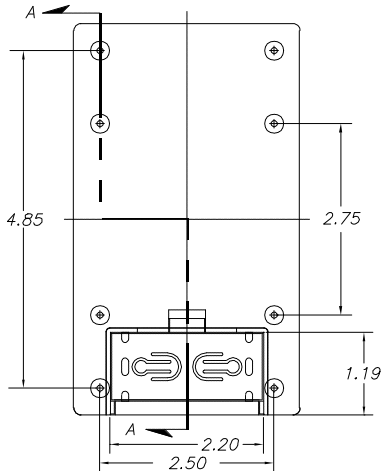
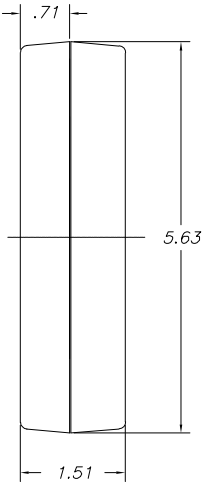


# SERPAC 251

Electronics Enclosures



SECTION A-A

NOTES:  
1. WHEN MACHINE OR I PLATES MODIFICATIONS ARE REQUIRED, USE THE CENTER OF THE BOX TO DIMENSION.

10-05-98

ALL DIMENSIONS ± .010

ITEM	PART NO.	DESCRIPTION	ACCESSORIES	
			PART NO.	DESCRIPTION
1	51	PLASTIC TOP	50	FEET
2	25	PLASTIC BOTTOM	359	PROTOTYPE GRID BOARD (HORIZ.)
3	1025	PLASTIC BATTERY COVER	459	PROTOTYPE CLAD BOARD (HORIZ.)
4	6005	SCREWS (4)	351	PROTOTYPE GRID BOARD (VERT.)
			451	PROTOTYPE CLAD BOARD (VERT.)
			PC	POCKET CLIP

619 Commercial Ave. Covina, CA 91723

(626) 331-0517 Fax (626) 331-8584 <http://www.serpac.com>